

P. QUARELLI.
 WATER RECEPTACLE.
 APPLICATION FILED JUNE 16, 1911.

1,035,737.

Patented Aug. 13, 1912.
 2 SHEETS—SHEET 1.

Fig. 1.

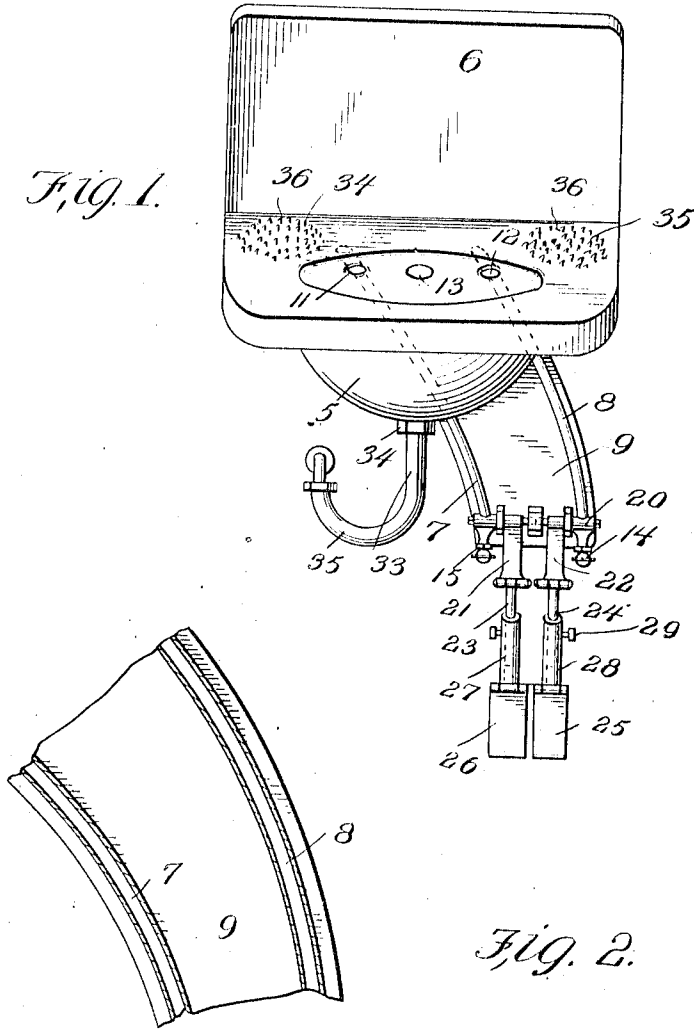


Fig. 2.

Witnesses
 William Smith.
 John Anderson.

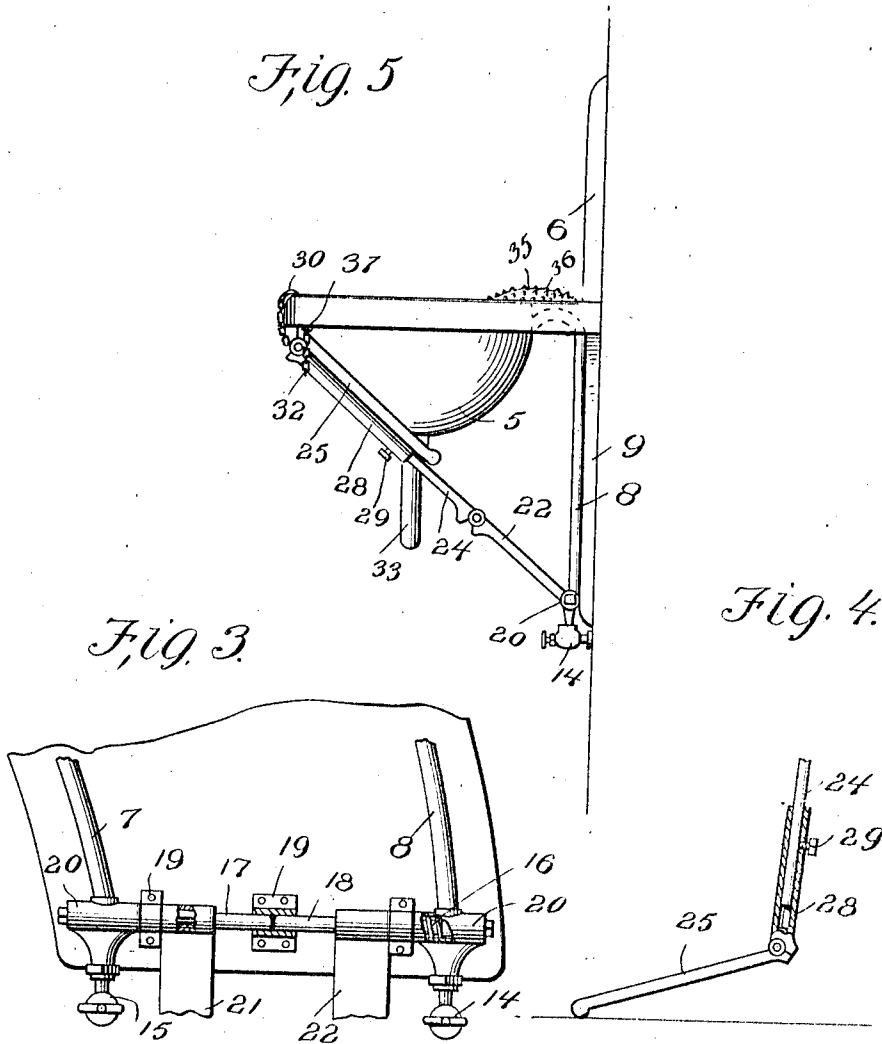
Inventor
 Peter Quarelli.

By Victor J. Evans
 Attorney

P. QUARELLI.
 WATER RECEPTACLE.
 APPLICATION FILED JUNE 16, 1911.

1,035,737.

Patented Aug. 13, 1912.
 2 SHEETS—SHEET 2.



Witnesses

William Smith
Geo. A. Doniger

Inventor
Peter Quarelli

By *Victor J. Evans*

Attorney

UNITED STATES PATENT OFFICE.

PETER QUARELLI, OF RENO, NEVADA.

WATER-RECEPTACLE.

1,035,737.

Specification of Letters Patent. Patented Aug. 13, 1912.

Application filed June 16, 1911. Serial No. 633,517.

To all whom it may concern: .

Be it known that I, PETER QUARELLI, citizen of the United States, residing at Reno, in the county of Washoe and State of Nevada, have invented new and useful Improvements in Water-Receptacles, of which the following is a specification.

The general object of the invention is to eliminate the employment of faucets which have heretofore been employed for directing water into sinks, wash bowls and the like, by substituting therefor a novel form of sink or wash bowl having valve controlled passages and foot operating means adapted to control the water supply so that water may flow into the bowl through either one or more of said passages.

Specific objects will appear and be better understood from the following description taken in connection with the accompanying drawings in which:

Figure 1 is a perspective of my invention; Fig. 2 is a fragmentary perspective of the lower portion of the sink showing the water passages in section; Fig. 3 is a sectional detail of the crank shafts for operating the valves; Fig. 4 is a sectional detail of one of the operating levers for connecting the crank to the pedal; Fig. 5 is a detail side elevation showing the pedal folded.

For the purpose of illustration, I have shown a wash bowl constructed in accordance with my invention, it must be understood, however, that I do not intend that the structure and arrangement of parts to be presently described are intended to be associated only with a wash bowl since it will be manifest from what will appear later that the several features of the invention may be associated with sinks and the like.

The bowl 5 may be formed of any material suitable for the purpose and is herein shown to consist of metal and provided with a splash plate 6, the latter, however, need not be formed integral with the bowl and in fact may be eliminated or form a separate element as is well known with devices of this kind.

The water passages 7 and 8 are herein shown as formed with a depending plate 9 of any suitable contour such as angular as herein shown and when this configuration is followed the passages 7 and 8 will diverge as shown their upper ends communicating with the bowl 5 through spaced

outlets 11 and 12 herein shown as located adjacent to the upper end of the bowl and on either side of the overflow 13.

The water passages 7 and 8 connect with the water pipes 14 and 15, the latter being valve controlled as shown at 16 and communicating with suitable supplies of hot and cold water in the ordinary manner.

The crank rods 17 and 18 are connected in any suitable manner such as by straps 19 to the plate 9, the said crank rods extend into suitable valve casings 20 connected with the passages 7 and 8 and operate suitable spring closed valves located in the casings.

The mechanism for operating the valve rods 17 and 18 is herein shown to consist of cranks 21 and 22 suitably secured to the crank rods at one end and connected in any suitable manner such as by pin joints to suitable levers 23 and 24. Referring to Fig. 1 the levers 23 and 24 extend downwardly and pivotally connect with pedals 25 and 26 which later are herein shown as bearing at one end on the floor so that when the said pedals are depressed the crank shafts will be rotated and the valves in the casing 20 turned to permit water to flow through the passages 7 and 8.

Referring to Fig. 1 the pedals 25 and 26 are shown as arranged in juxtaposition so that the operator may by placing his foot over the space between the levers depress them simultaneously or if it is desired to use cold water for instance, the pedal for operating the cold water valve may be moved independently of the other pedal and vice versa. The levers 23 and 24 are herein shown as adjustable and each lever comprises telescoping sections 27 and 28 adjustably secured in any preferred manner such as by a set screw 29. By virtue of their connection with the levers 23 and 24, the pedals 25 and 26 may be folded parallel with said levers and the latter by virtue of their connection with the cranks 21 and 22 may be moved upwardly as shown in Fig. 5 in which event the parts may be secured in any suitable manner such as by passing a chain 32 therearound, the said chain being herein shown as connected at one end to the flange 30 of the bowl and having its opposite end adapted to detachably connect to a suitable keeper 31. The waste pipe 33 connects with the bowl in any suitable manner such as through the bushing 34 and the

goose neck 35 is herein shown as extending away from the valve operating mechanism and connecting with the sections of the waste pipe 33.

5 In Fig. 1, I have shown suitable soap holders 34 as formed with the bowl and being preferably constructed by bulging a portion of the lip 35 and roughening the bulged surface in any preferred manner
10 such as by teats 36.

Although I have shown and described one form of my device it is to be understood that I am not to be limited to the structures shown and described, since various changes
15 may be made within the scope of the claims without departing from the spirit of the invention.

What is claimed as new is:

1. In combination a bowl or sink having

a depending plate provided with vertically
20 extending water passages opening at their upper ends through the wall of the bowl or sink and valves at the lower ends of said passages.

2. In combination, a bowl or sink having
25 a depending plate formed with spaced vertically extending passages opening at their upper ends through the upper portion of the wall of the bowl or sink, valves at the lower
30 ends of said passages, and means for operating said valves.

In testimony whereof I affix my signature in presence of two witnesses.

PETER QUARELLI.

Witnesses:

WILLIAM T. JAMES,
GRACE S. DORSON.